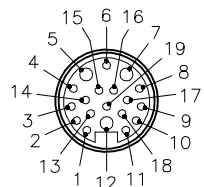


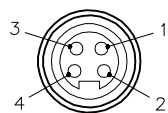
MALE END VIEW (P1)



- 1 = PORT 1-1
- 2 = PORT 1-2
- 3 = PORT 2-1
- 4 = PORT 2-2
- 5 = SHIELD
- 6 = PORT 3-1
- 7 = N/C
- 8 = PORT 3-2
- 9 = PORT 4-1
- 10 = PORT 4-2
- 11 = PORT 5-1
- 12 = GROUND
- 13 = PORT 5-2
- 14 = PORT 6-1
- 15 = PORT 6-2
- 16 = PORT 7-1
- 17 = PORT 7-2
- 18 = PORT 8-1
- 19 = PORT 8-2



FEMALE END VIEW (J1-J8)

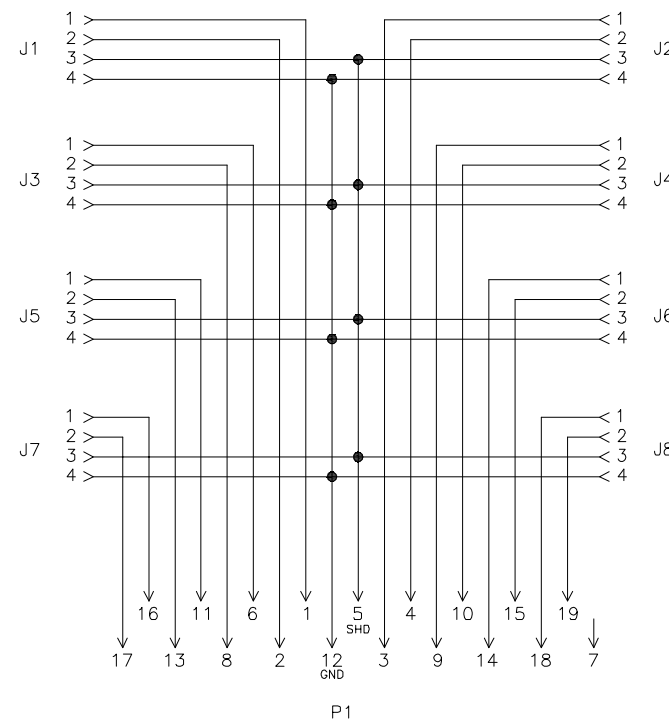
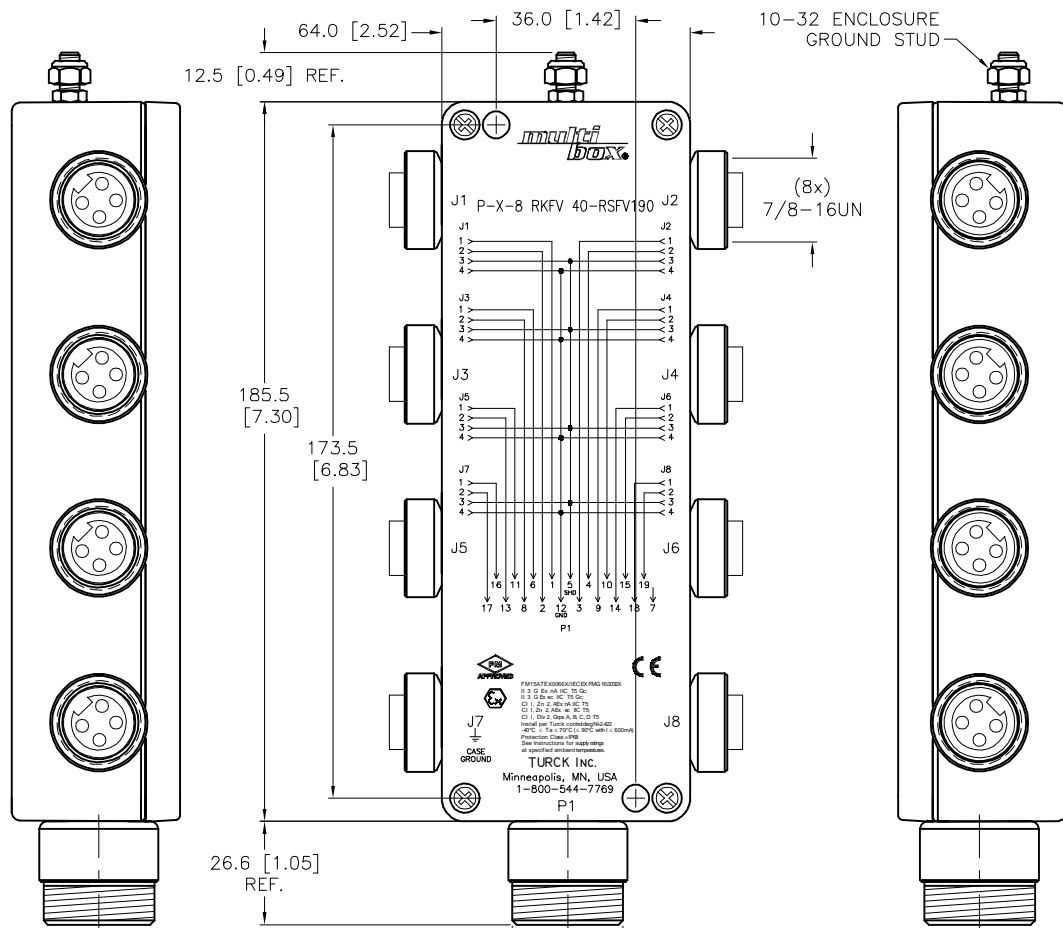


- 1 = V-
- 2 = V+
- 3 = DRAIN/SHIELD
- 4 = GROUND

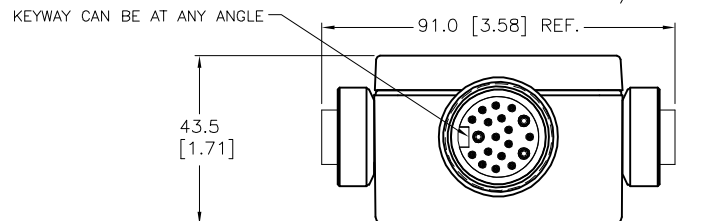


SPECIFICATIONS

HOUSING MATERIAL	DIE-CAST ALUMINUM ALLOY
HOUSING FINISH/COLOR	POWDER COAT/BLACK
RECEPT. HOUSING MATERIAL/FINISH	STAINLESS STEEL/PASSIVATED
CONTACT CARRIERS/COLOR	TPV/BLACK
CONTACT MATERIAL/PLATING	BRASS/GOLD
OPERATING VOLTAGE	250 VAC/300 VDC
OPERATING CURRENT	2.0 AMPS PER PORT, 8.0 AMPS TOTAL
PROTECTION CLASS to DIN 40050	IP67, IP68 - ONLY WHEN ALL RECEPTACLES ARE COVERED WITH PLUGS OR CONNECTED
OPERATING TEMPERATURE	-40°C to +70°C (-40°F to +158°F)



SOURCE DRAWING - FOR REFERENCE ONLY



RELATED DOCUMENTS 1. 2. 3. 4.	3RD ANGLE PROJECTION	THIS DRAWING IS CONFIDENTIAL AND THE PROPERTY OF TURCK INC. USE OF THIS DOCUMENT WITHOUT WRITTEN PERMISSION IS PROHIBITED.		3000 CAMPUS DRIVE MINNEAPOLIS, MN 55441 1-800-544-7769 (763) 553-7300 (763) 553-0708 fax www.turck.us	
	MATERIAL SEE SPECIFICATIONS	DRFT NF	DATE 04/14/16	DESCRIPTION P-X-8 RKFV 40-RSFV190	
FINISH SEE SPECIFICATIONS	ALL DIMENSIONS DISPLAYED ON THIS DRAWING ARE FOR REFERENCE ONLY	APVD	SCALE 1=2.0	IDENTIFICATION NO. U2-26939	
	CONTACT TURCK FOR MORE INFORMATION	UNIT OF MEASUREMENT MILLIMETER [INCH]		REV D	
		DO NOT SCALE THIS DRAWING		FILE: U2-26939	
D	ADD IP68 TO PROTECTION CLASS	RDS	01/25/19	68291	
REV	DESCRIPTION	BY	DATE	ECO NO.	